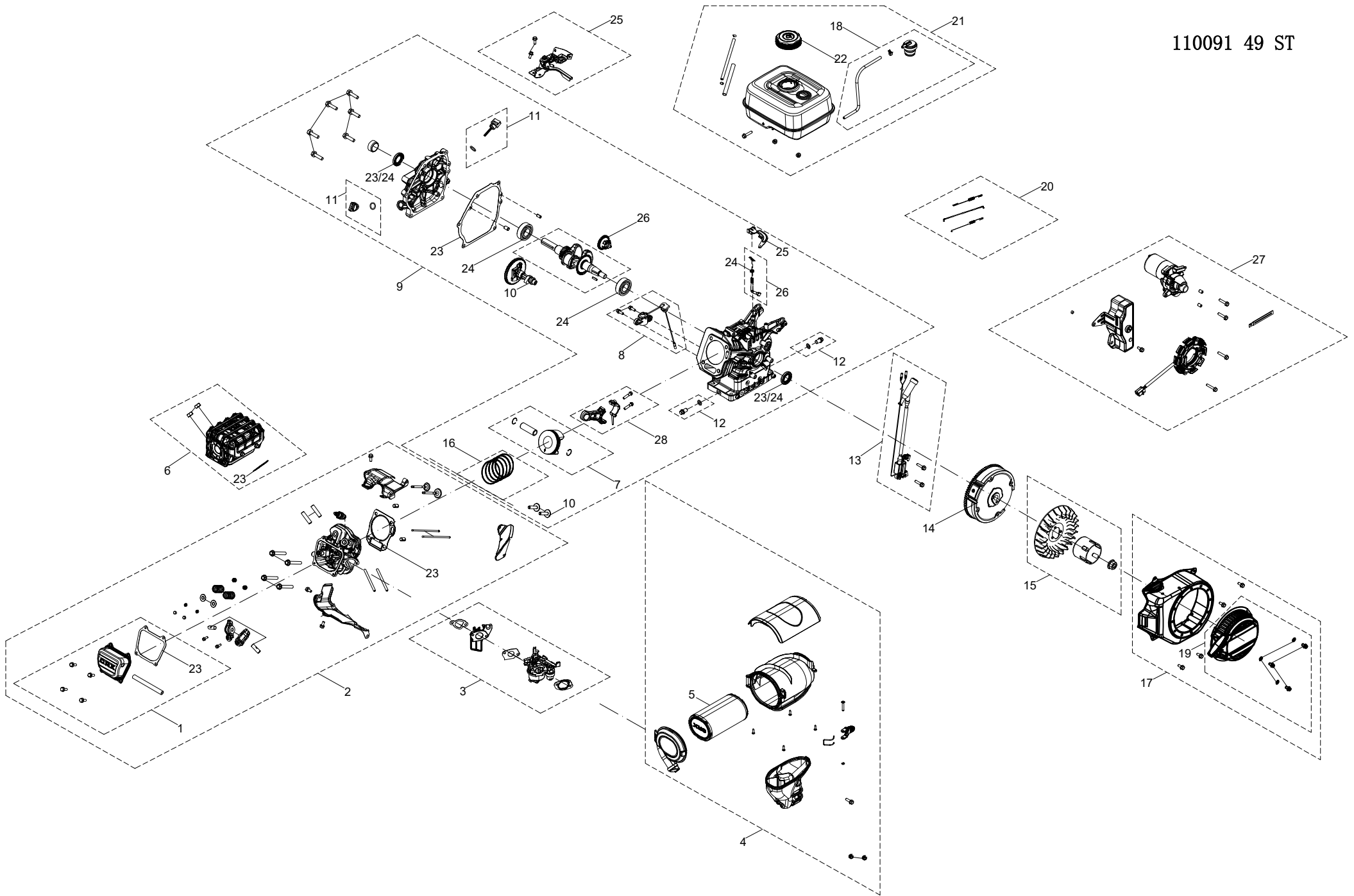


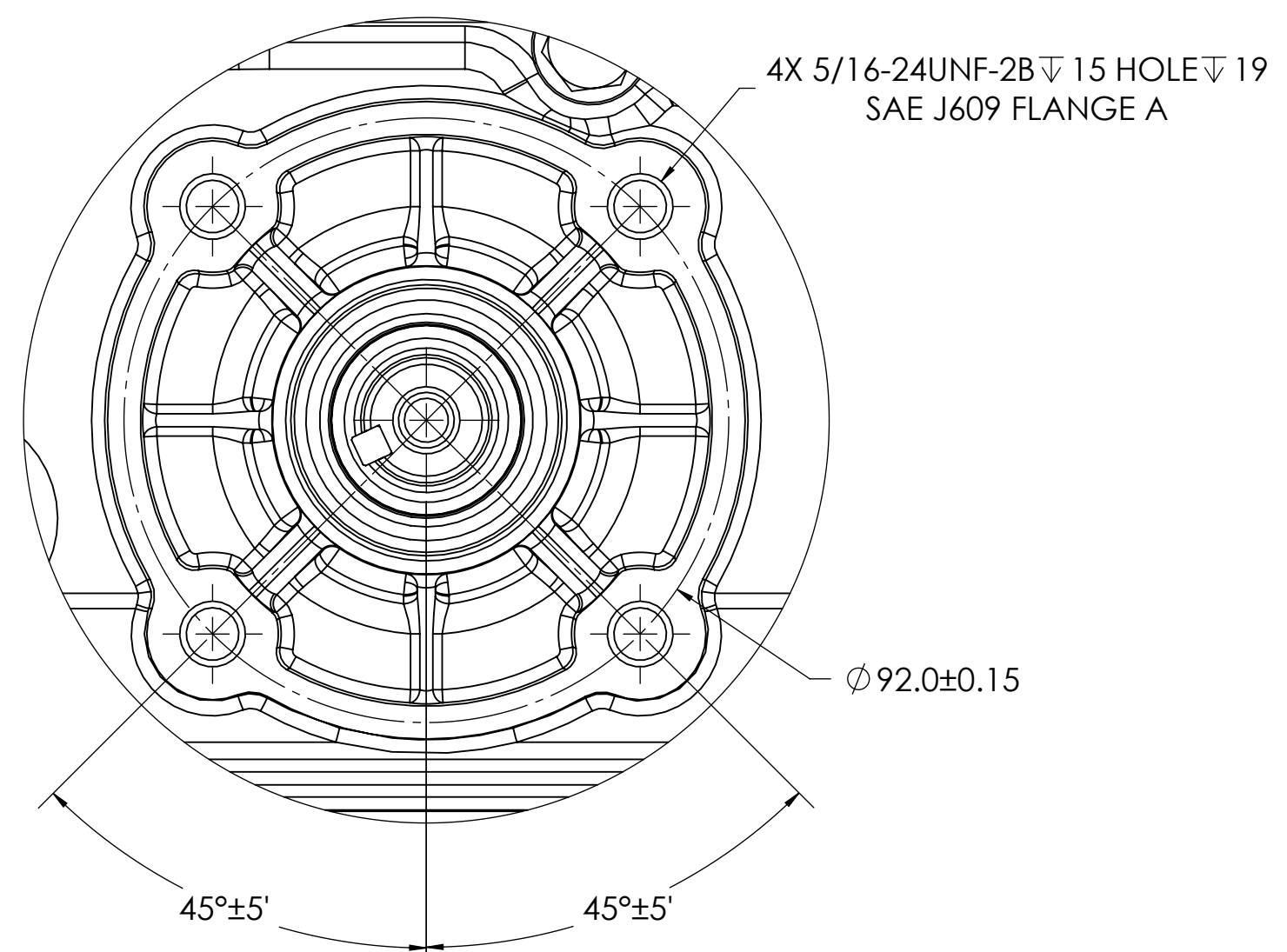
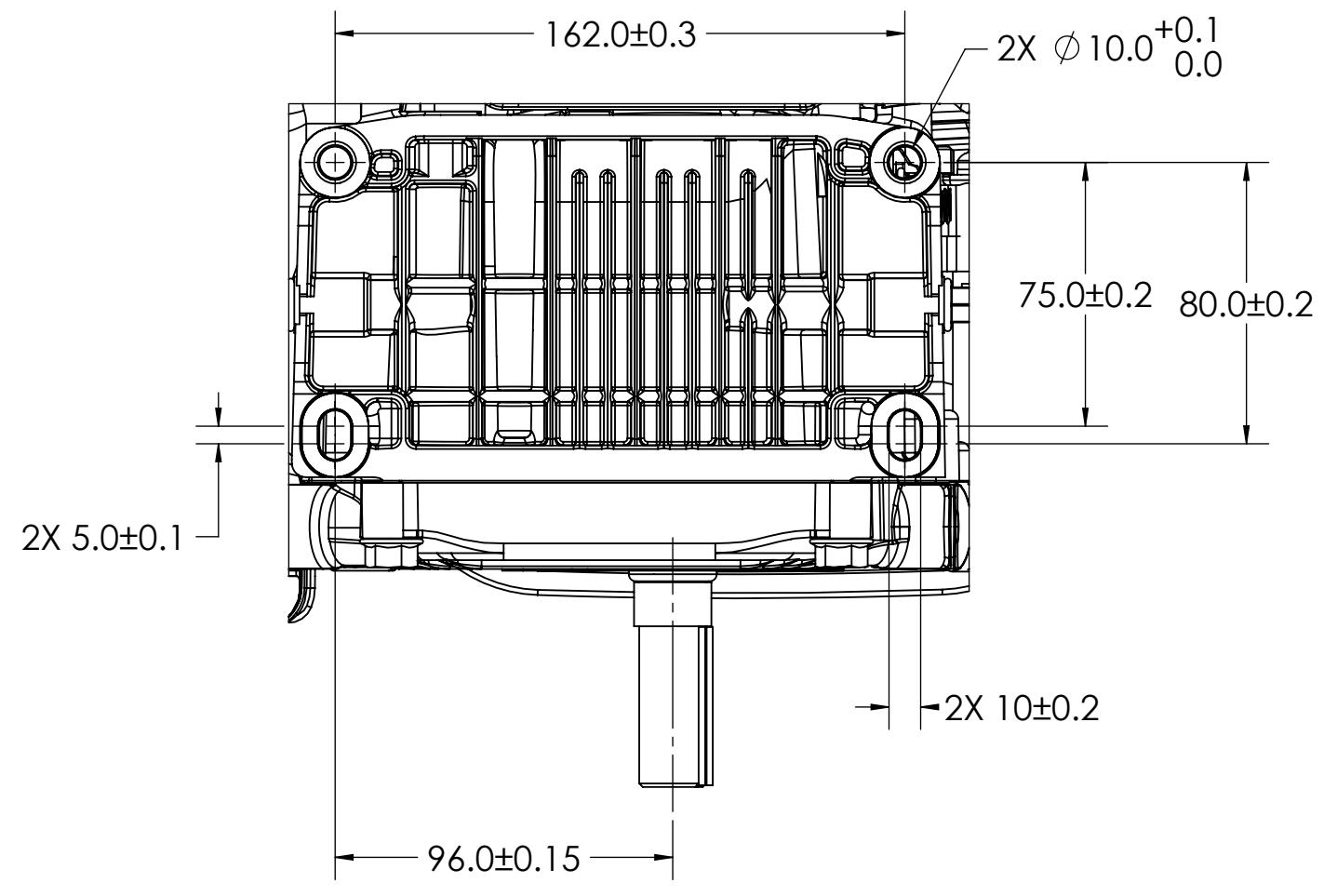
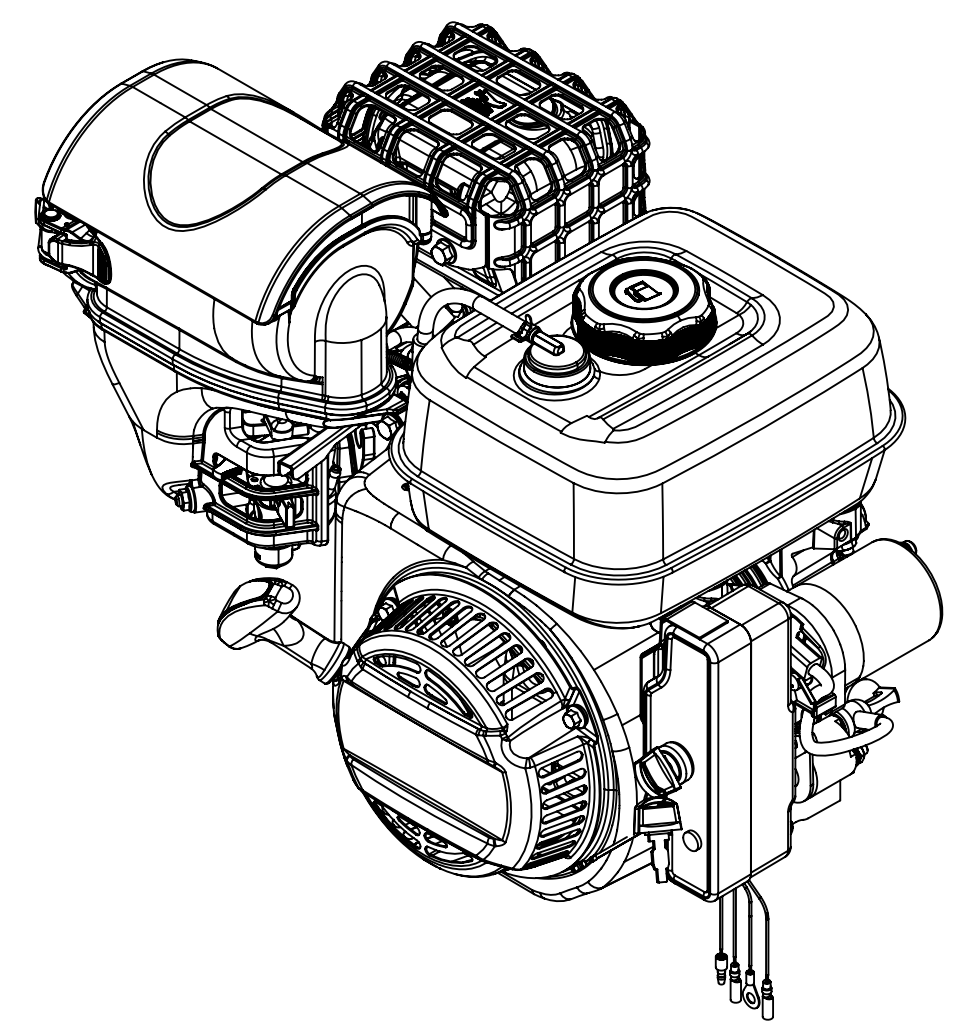
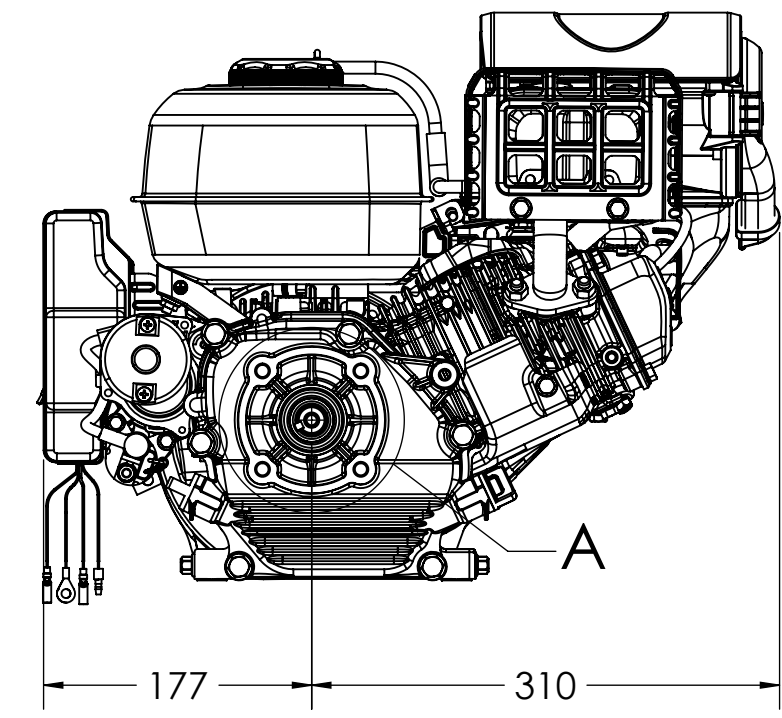
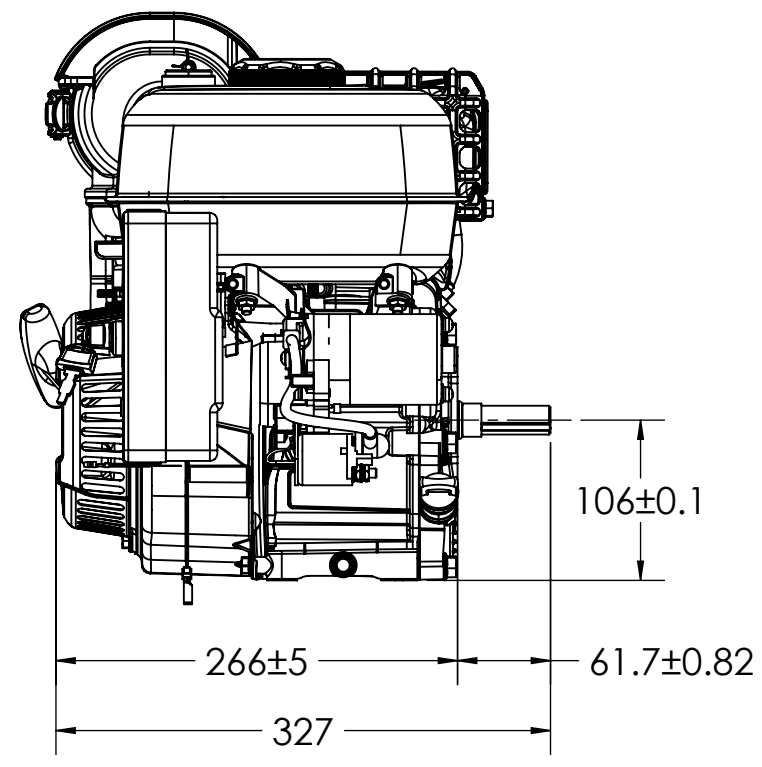
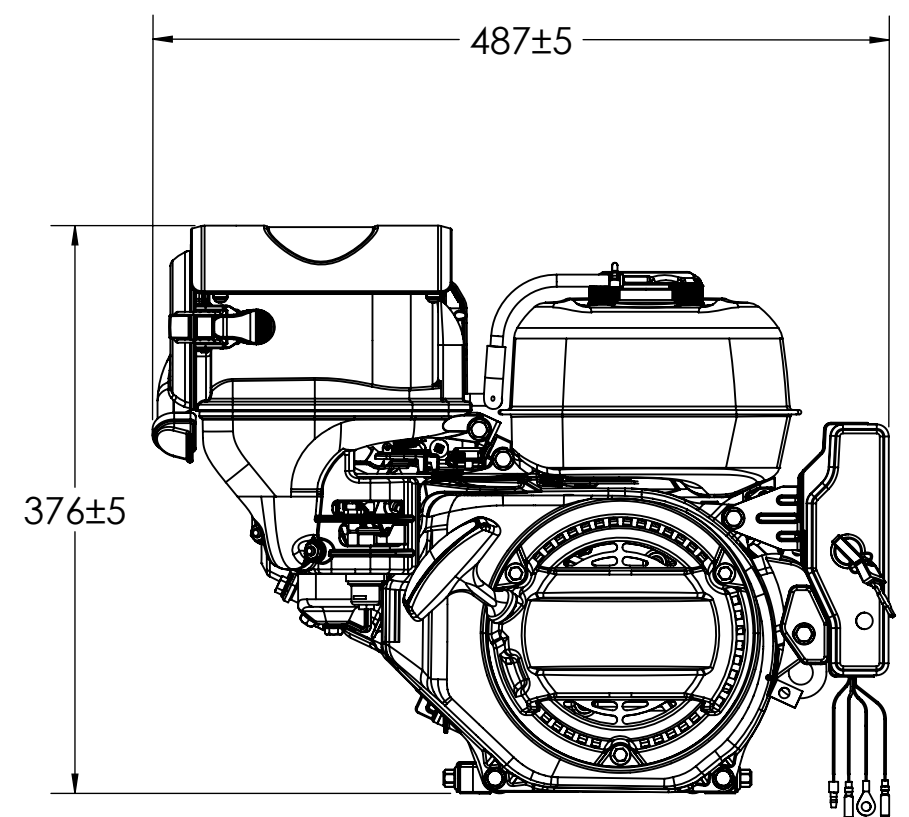
110091 49 ST



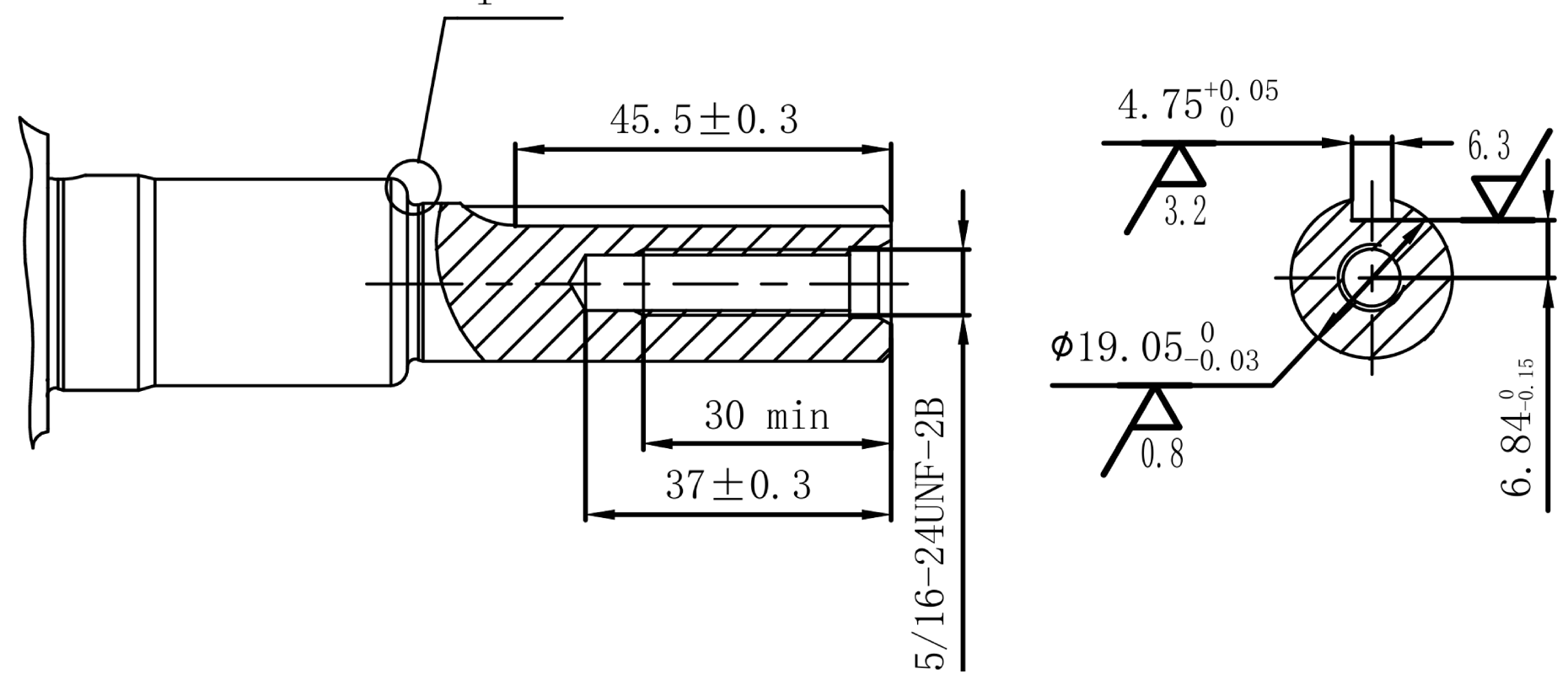
CRX225 REVA 1

ITEM	FNA PART NO.	KIT DESCRIPTION	QTY	MATCH
1	7126337	VALVE COVER KIT	1	110091
2	7126338	CYLINDER HEAD KIT	1	110091
3	7126339	CARBURETOR KIT	1	110091
4	7126340	AIR FILTER ASSEMBLY	1	110091
5	7126341	AIR FILTER ELEMENT	1	110091
6	7126342	MUFFLER KIT	1	110091
7	7126343	PISTON KIT	1	110091
9	7126344	SHORT BLOCK KIT	1	110091
10	7126345	CAM&TAPPET SET	1	110091
13	7126346	IGNITION MODULE KIT	1	110091
14	7126347	FLY WHEEL	1	110091
16	7126348	PISTON RING SET	1	110091
17	7126349	BLOWER HOUSING KIT	1	110091
18	7126350	ROLL OVER VALVE KIT	1	110091
19	7126351	RECOIL STARTER KIT	1	110091
20	7126352	GOVERNOR SPRING KIT	1	110091
21	7126353	FUEL TANK KIT	1	110091
23	7126354	CASKET KIT	1	110091
24	7126355	OIL SEAL AND BEARING KIT	1	110091
25	7126356	GOVERNOR KIT	1	110091
26	7126357	INTERNAL GOVERNOR KIT	1	110091
27	7126358	SWITCH BOX KIT	1	110091
28	7126359	CONNECTING ROD KIT	1	110091

REV		DESCRIPTION	ECN#	BY	CHECK	APPROVE	DATE
A		INITIAL DRAWING RELEASE					



DETAIL A
SCALE 1:1



THIRD ANGLE PROJECTION UNLESS OTHERWISE SPECIFIED: DIMENSIONS ARE IN MM TOLERANCES: X ± 2.5 .X ± 0.76 .XX ± 0.25 ANGULAR: ± 1° BEND: ± 1° ALL MACHINED SURFACES: 3.2 INTERPRET GEOMETRIC TOLERANCING PER LATEST: ASME Y14.5M DO NOT SCALE DRAWING	FNA-GROUP 7152 99th Street, Pleasant Prairie, WI 53158 PROPRIETARY AND CONFIDENTIAL THE INFORMATION CONTAINED IN THIS DRAWING IS THE SOLE PROPERTY OF FNA- GROUP. ANY REPRODUCTION IN PART OR AS A WHOLE WITHOUT THE WRITTEN PERMISSION OF FNA-GROUP IS PROHIBITED.	DESCRIPTION: CRX225, ELECTRIC START, GENERAL PURPOSE	REV: A
	WEIGHT: 18000g MATERIAL:	BREAK ALL SHARP EDGES AND REMOVE BURRS	DWG. NO. 2432602CUST